

BIO-Kit 500

The Biometric Enrollment Kit is a portable, rugged, and high-performance identity capture system, featuring fingerprint, facial, and iris recognition, dual displays, powerful computing, and long-lasting battery for secure biometric enrollment anywhere.

Biometric Enrollment Kit

Portable, Secure & High-Performance Identity Capture Solution

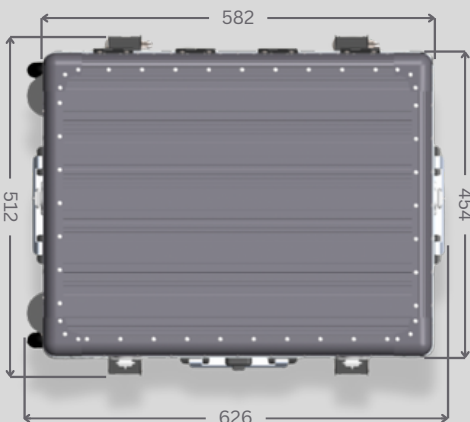
The Biometric Enrollment Kit is an advanced, all-in-one system engineered to deliver highly secure, efficient, and high-quality biometric identity registration. Designed for government agencies, law enforcement, border security, and identity management applications, this rugged, field-ready solution ensures seamless identity verification in any environment.

Ideal for Mission-Critical Identity Solutions

The Biometric Enrollment Kit is designed to support large-scale identity registration and verification programs, making it an ideal solution for:

- National ID programs
- Voter registration and election management
- Refugee and humanitarian aid identification
- Border security and immigration control
- Law enforcement and forensic applications

With its powerful processing capabilities, durable construction, and comprehensive biometric technology, the Biometric Enrollment Kit delivers a seamless, accurate, and secure identity enrollment experience—anytime, anywhere.



Specifications

| Category | Item | Description |
|-----------------------------------|-----------------------------------|--|
| Carrying Case | Hard case | Aluminum alloy Size: 582 X 454 X 266 mm Waterproof (IP65) Desktop panel (Aluminum) Color: Black/Aluminum Support stands |
| | Carry Straps | Option: Detachable carry straps |
| Computer | Computer (Mini PC) | Intel i7 8GB DDR4/512GB PCIE4.0 SSD + Integrated Graphics GPU Support Windows 11 Pro USB Type A (USB 3.2 Gen 2) x2 / USB Type C PD/DP/Data x1 RJ45 Gigabit LAN HDMI2.0 (4K) x1 / DP (4K) |
| | Main Display | Main display:14" screen 1920 X 1080, Contrast ratio 800:1, Brightness (cd/m2) 300, Screen ratio: 16:10 |
| | 2nd Display | 2nd display: 14" screen 1920 X 1080, Contrast ratio 800:1, Brightness (cd/m2) 300, Screen ratio: 16:10 |
| | Keyboard | Keyboard with touch pad / Material: ABS |
| Biometrics & data capture modules | 4-4-2 Fingerprint scanner | |
| | Face camera with lights | 8MP high-grade CMOS, LED lights , adjustable stand |
| | Dual-iris capture camera | Binocular type iris capture device |
| | A4 printer | Color / B&W (Canon TR150 or equivalent), ink cartridge |
| | A4 imager | 8MP FF camera, A4 document imager |
| Power Management | Battery Management & Power Supply | Battery management & power supply (AC/DC converter, controlable relay of each peripheral) |
| | BMS software | BMS software with SDK |
| | External USB | 1 x port (up to 7 ports) |
| | Battery indicator display | Displaying power volume, charging status |
| | Charing indicator | Outer LED indicator on the charging socket of the case |
| | Cooling Fans | Interior section air ventilation and cooling fans x2 |
| | Battery Pack | 12V 30Ah*1, 21700 Lithium Cell |
| Others / Peripherals | GPS tracking device | GPS tracking device (powered/connected to local PC system) |
| | LED Indicator | Indicator bar for fingerprint scanner |
| | Kit Power Charging Cable | Kit power charging cable 1.5m x1 with aviation water proof socket |
| | Miscellaneous | Cables, foams, switches, sockets, PCBA boards, hinges, dampings, etc |
| Exclusive | Windows OS License Key | Support Win 11 Pro |