

# KEEX-0200T

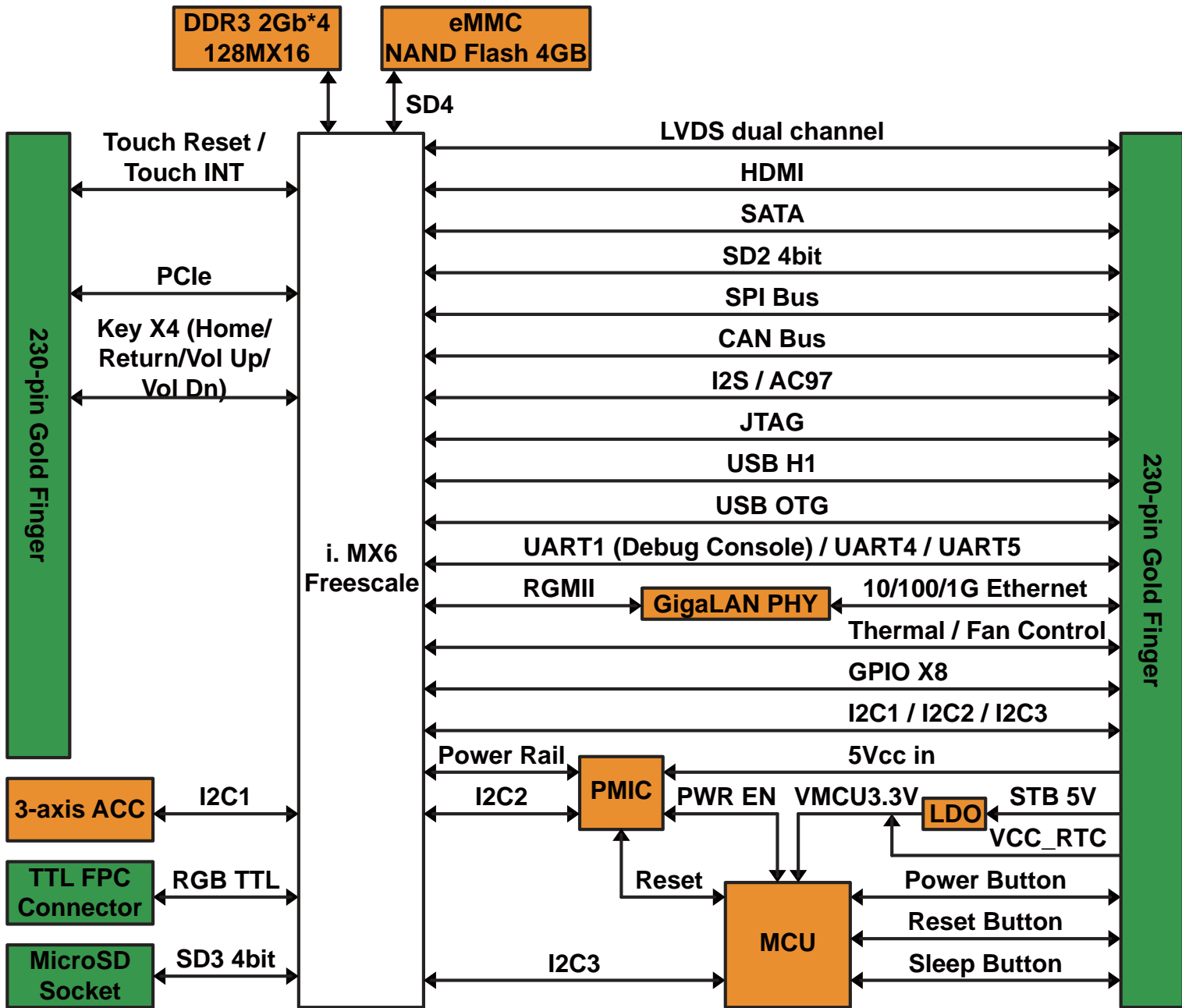
Extreme Temperature Qseven® Module  
with NXP® i.MX6 Cortex-A9™ Processor



- NXP® i.MX6 Cortex-A9™ Dual Lite / Dual / Quad Cores
- 1GB DDR3 Memory
- 4GB eMMC NAND Flash
- 1x Micro SD Socket, 1x TTL Connector, 1x 3-axis Accelerometer
- 2x 1/2 channel LVDS, 1x HDMI
- 1x SATA, 1x SDIO
- 1x GbE, 1x USB 2.0 Host, 1x USB 2.0 OTG
- 1x PCIe1
- Android / Embedded Linux OS Support
- Extreme operating temperature range: -40°C ~ 85°C



• Block Diagram



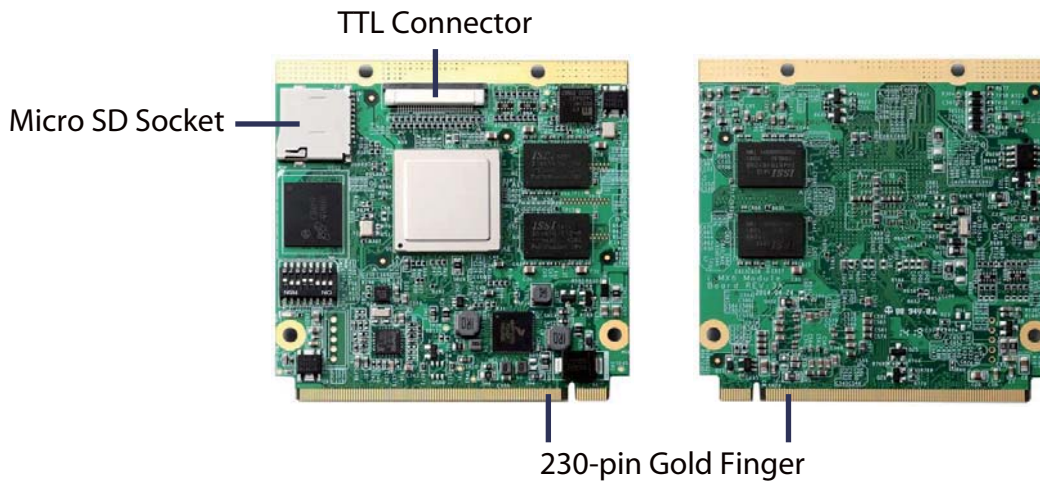
Connector
  Internal Parts

## Technical Information

<b>Processor</b>	NXP® ARM® Cortex-A9 Core i.MX 6 Dual Lite/ Dual/ Quad Automotive (Dual / Quad Core, 512K / 1M Cache, 1 GHz)
<b>Memory</b>	1GB DDR3 1067 memory onboard (Dual / Quad) 1GB DDR3 800 memory onboard (DualLite)
<b>Display Interfaces</b>	2x LVDS (18/24-bit, 1/2-ch, via Gold Finger) 1x HDMI (1920 x 1080, via Gold Finger)
<b>Audio Chipset</b>	NXP® SGTL5000
<b>Audio Interfaces</b>	1x I2S / AC97 Bus (via Gold Finger)
<b>Ethernet</b>	1x LAN (via Gold Finger)
<b>USB</b>	1x USB 2.0 Host (via Gold Finger) 1x USB 2.0 OTG (via Gold Finger)
<b>Serial Ports</b>	3x UART (via Gold Finger)
<b>Other I/Os</b>	1x SDIO (via Gold Finger) 1x SPI Bus (via Gold Finger) 1x CAN Bus (via Gold Finger) 3x I2C Bus (via Gold Finger) 1x JTAG (via Gold Finger) 1x 3-axis Accelerometer 1x TTL Connector (RGB24bits)

<b>Storage &amp; Expansion</b>	4GB eMMC NAND Flash onboard 1x SATA (via Gold Finger) 1x Micro SD Cage 1x PCIe1 (via Gold Finger)
<b>Power Supply</b>	Input Voltage: DC 5V (via Gold Finger)
<b>System Control &amp; Monitoring</b>	Power button (via Gold Finger) Reset button (via Gold Finger) Sleep button (via Gold Finger) Home button (via Gold Finger) Return button (via Gold Finger) Volume Up button (via Gold Finger) Volume Down button (via Gold Finger)
<b>Cooling</b>	Thermal / FAN Control (via Gold Finger)
<b>OS Support</b>	Android 4.2.2 / Embedded Linux 3.0.35
<b>Dimensions (L x W)</b>	QSeven™ (70 x 70 mm / 2.76" x 2.76")
<b>Environmental Characteristics</b>	Operating Temperature: -40°C ~ 85°C / -40°F ~ 185°F Storage Temperature: -55°C ~ 85°C / -67°F ~ 185°F Humidity: 5% ~ 85%
<b>Certification</b>	CE, FCC Class A

## KEEX-0200T I/Os



## Ordering Information

Article	Part No.	Description
KEEX-0200T	B3EX020T-001000N	QSeven™ Form Factor, NXP® i.MX6 Cortex-A9™, 1GB DDR3 Memory, 4GB eMMC, 2x LVDS, 1x HDMI, 1x SATA, 1x SDIO, 1x GbE, -40°C ~ 85°C

 **Accessories**

Article	Part No.	Description
CRRD-RQ70		<p>QSeven™ Carrier Board</p> <p>Peripheral Device Support List:</p> <ol style="list-style-type: none"><li>LVDS panel (including cable)<ol style="list-style-type: none"><li>1280x1024 24-bit 2CH (AUO G170ETN001)</li><li>1024x768 24-bit 1CH (AUO G150XTN001)</li></ol></li><li>SPI device</li><li>WIFI module (mPCIE I/F) or 3G module (mPCIE I/F)<ol style="list-style-type: none"><li>Chicony C204E wifi module</li><li>NaviSYS WW350-U 3G module</li></ol></li><li>MicroSD</li><li>USB X 2</li><li>mini USB OTG</li><li>HDMI monitor</li><li>Speaker/Head phone</li><li>MIC-In</li><li>RS232</li><li>UART</li><li>LAN x 2</li></ol>