

OPS-2002/2010

Open Pluggable Specification (OPS) Compliant
Digital Signage Player
with Intel® Skylake / Kaby Lake U-Series Processors



- Intel® Skylake / Kaby Lake U-Series Processors
- 2 x DDR4 SO-DIMM
- 1x HDMI2.0, 2 x DP (1x on front) for video output
- 2x GbE LAN on front for Ethernet
- 6x USB3.0 (4x on front), 2x USB2.0 for peripheral connection
- 1x slim type 2.5" SATA HDD / SSD slot on front for storage
- 1x M.2, 1x mPCIe for storage, wireless & function expansion
- Wide voltage range power input: 12V ~ 19V



Product Overview

OPS-2002/2010 is an OPS-Compliant media player for digital signage application. This embedded hardware platform boasts Intel® Skylake / Kaby Lake U-Series processors and therefore it is stunning by greatly enhanced graphics performance and energy efficiency to respond to the requirements for heavy video / image applications.

Another distinguishing feature is that OPS-2002/2010 is equipped with the latest-version HDMI 2.0 port (by JAE) with 4K resolution, higher data rate, wider bandwidth, ultra-wide display support and can satisfy increasing requirements for high definition and large screen size.

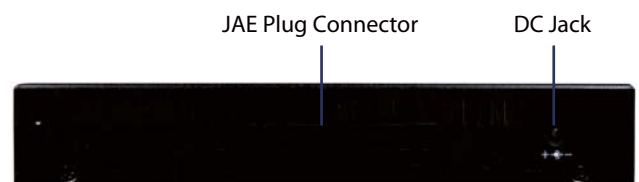
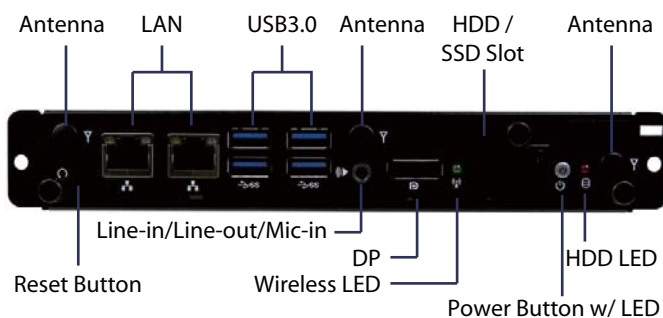
Technical Information

CPU Support
Intel® Skylake Core™ i5-6200U (Dual Core, 3M Cache, up to 2.80 GHz, FCBGA1356, 15W TDP)
Intel® Kaby Lake Core™ i5-7200U (Dual Core, 3M Cache, up to 3.10 GHz, FCBGA1356, 15W TDP)
Memory
2x DDR4 2133 SO-DIMM up to 16GB
Graphic Controller
Intel® HD Graphics 520 (Skylake model) Intel® HD Graphics 620 (Kaby Lake model)
Display Interfaces
1x HDMI2.0 (by JAE, 3840 x 2160 @ 60Hz) 2x DP (1x on front, 1x by JAE, 4096 x 2304 @ 60Hz)
Multiple Display
Dual Display (only one output support b/w on-front DP and by-JAE DP, default setting: by-JAE HDMI2.0 + on-front DP)
Audio Chipset
Realtek ALC662
Audio Interfaces
1x Line-in/Line-out/Mic-in (on front) 1x Line-out (by JAE)
Ethernet
2x GbE LAN (RJ-45 on front, 1x Intel® I219, 1x Intel® I210)
USB
6x USB3.0 (4x Type A on front, 2x by JAE) 2x USB2.0 (by JAE)
Serial Ports
1x UART (by JAE)
Storage & Expansion
1x 2.5" SATA HDD / SSD (Slim type slot on front) 1x M.2 Key A (default for optional Wi-Fi+BT module) 1x mPCIe (full size, default for optional 4G/3G module) 1x Micro SIM card holder (onboard)

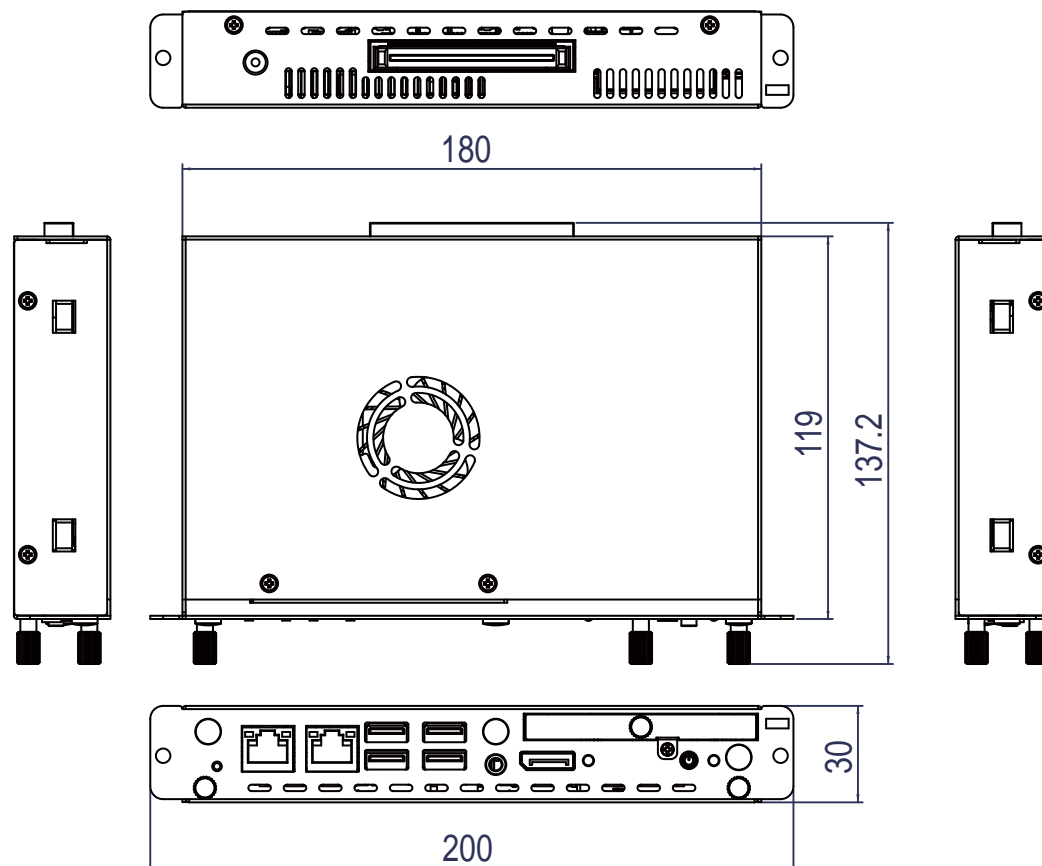
Power Supply
Connector: JAE Plug Connector (on rear) DC Jack (on rear, optional adapter required) Input Voltage: DC 12V ~ 19V
Firmware
BIOS: AMI uEFI BIOS w/ 128Mb SPI Flash Watchdog: Programmable WDT to generate system reset event H/W Monitor: Voltages, Temperatures Real Time Clock: Processor integrated RTC
System Control & Monitoring
1x Power Button w/ LED (on front) 1x Reset Button (on front) 1x Storage LED (on front) 1x Wireless LED (on front)
Cooling
1x CPU Smart Fan 1x System Smart Fan (by JAE)
OS Support
Windows 7, Windows 8, Windows 10, Linux
Construction
Metal Chassis
Dimensions (W x D x H)
200 x 119 x 30 mm / 7.87" x 4.69" x 1.18"
Weight
1000 g / 2.20 lb
Environmental Characteristics
Operation Temp.: 0°C ~ 45°C / 32°F ~ 113°F Storage Temp.: -20°C ~ 80°C / -4°F ~ 176°F Humidity: 0% ~ 90%
Mounting
OPS-slot Mount
Certification
CE, FCC Class A

* HDMI2.0 function is not applicable to the following monitors: LG 27MU67-B, LG 27UD68, AOC U2879VF, LG 65UF850T, QD980, Dell S2817Q & ASUS MX27UQ.

Front & Rear I/O Panels



• Mechanical Dimensions



• Ordering Information

Article	Description
OPS-2002	Intel® Core™ i5-6200U, 2x DDR4 SO-DIMM, 1x HDMI2.0, 2x DP, 2x GbE, 6x USB3.0, 2x USB2.0, 1x 2.5" SATA HDD / SSD, 1x M.2 Key A, 1x mPCIe
OPS-2010	Intel® Core™ i5-7200U, 2x DDR4 SO-DIMM, 1x HDMI2.0, 2x DP, 2x GbE, 6x USB3.0, 2x USB2.0, 1x 2.5" SATA HDD / SSD, 1x M.2 Key A, 1x mPCIe