

Mobile Medical Assistant

MD116/MD116I

12" Rugged EMS Tablet



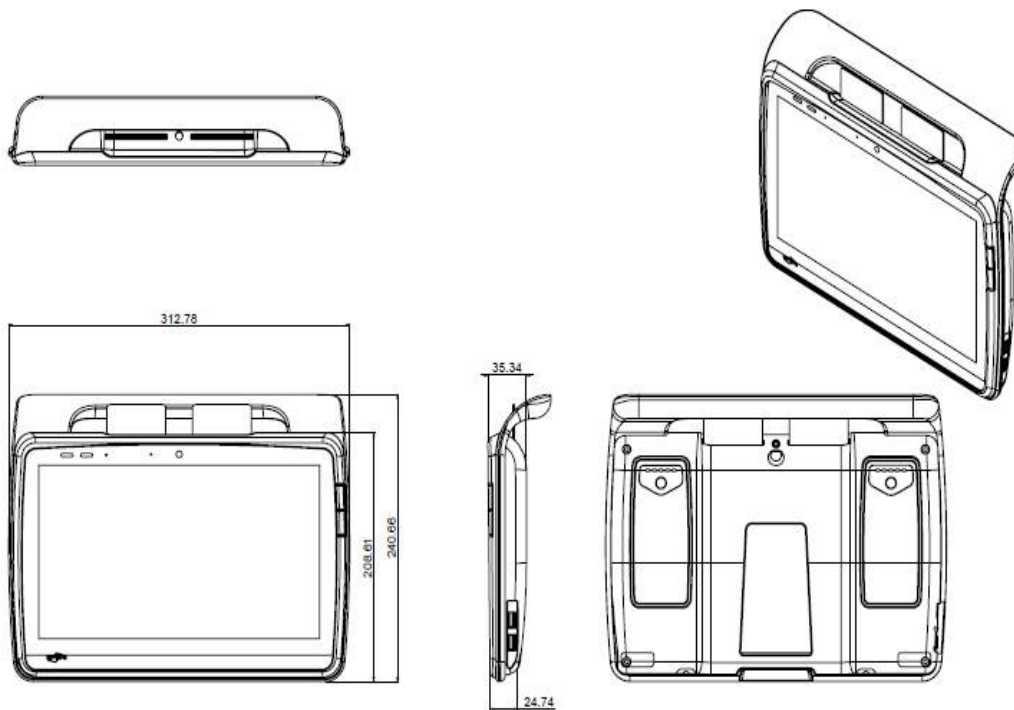
Features

- Intel® Apollo Lake processor / Sky Lake U processor
- Dual hot-swappable batteries for 24/7 operation
- Dual smart card readers for multiple-care workflow
- Standard USB Type-A and RJ45 for easy connection to medical devices
- IP54 certified & 3 feet drop resistant
- ORION client compatible
- Instant vehicle docking system
- Automotive Directive and EN1789 certified for ambulances/medical transportation vehicles

Specifications

Main Specifications	MD116	MD116I
Processor	Intel® Apollo Lake Processor	Intel® Sky Lake U Processor
System Memory	DDR3L SO-DIMM x1, Default 4 GB (Up to 8 GB),	DDR4 SO-DIMM x1, Default 4 GB (Up to 8 GB)
OS Support	Microsoft® Windows 10 IOT LTSB	
Storage	M.2 Interface x1, Default 64 GB	
Wireless Communication	802.11 a/b/g/n + BT4.0 (Optional)	
Camera	2 MP (Front) / 5 MP (Rear)	
Touchscreen	Projected Capacitive Touchscreen, w/Gorilla Glass	
Digital Accelerometer	ADI ADXL345	
Ambient Light Sensor	TAOS TSL2581	
LTE+GPS	Telit LN930 x 2 (Optional)	Telit LN930 x 1 (Optional)
Function Keys	x2	
LED Indicators	x2	
Speaker	2W x1	
Internal Mic	x1	
Power Requirement	DC 12V	
Security	Smart Card Reader x2 (Optional), RFID x1 (Optional)	
Display		
Display Size	11.6" 16:9 Widescreen LED Panel	
Resolution	FHD 1920 x 1080	
Max. Colors	16.7M	
Contrast Ratio	800:1	
Luminance (cd/m2)	600nits	
I/O		
USB	USB 3.0 (Type-A) x1, USB 2.0 (Type-A) x1	
Ethernet	Gigabit LAN x1	
DC-In	DC-in Jack x1	
Docking	Docking Connector x1	
Battery Pack		
Battery Type	Li-ion	
Battery Capacity	4545 mAh (32.72Wh) x2	
Battery Run Time	Approx. 8 hrs	Approx. 3.5 hrs
Mechanical and Environmental		
VESA	VESA 75 via docking station	
Operating Temperature	0° C ~ 40° C (32° F ~ 104° F)	0° C ~ 35° C (32° F ~ 95° F)
Storage Temperature	-20° C ~ 60° C (-4° F ~ 140° F)	
Storage Humidity	10%~95%@40°C, non-condensing	
Dimensions	312 (W) x 239 (H) x 37 (D) mm	
Net Weight	Approx. 1.45~1.8 kg	
Certifications	CE: EN 60601-1-2:2015(V4.0), EN 60601-1:2006/A1:2013(V3.1), EN 300 328 (V2.1.1), EN 301 893 (V2.1.1) FCC: Part 18 Class B, Part 15 C/E UL: ANSI/AAMI ES60601-1:2012 (V3.1) cUL: CAN/CSA-C22.2 No. 60601-1:2014 (V3.1)	

Dimensions / Unit: mm



Ordering Information

- » MD116ST-A1-1011
11.6" FHD 600 nits, Gorilla PCT, Apollo Lake N4200, 4 GB RAM, 64 GB SSD, Dual Camera, Dual SCR, RFID, WiFi/BT, Dual Battery, Power Adapter; no GPS/LTE & OS.
- » MD116I-P62-A1-0412
11.6" FHD 600 nits, Gorilla PCT, Sky Lake Core i5, 4GB RAM , 64GB SSD Dual Camera, Dual SCR, RFID, WiFi/BT, Dual Battery, Power Adapter; No LTE/GPS & OS

MD116 Accessory Selection

Vehicle Dock

OPM-T016-A2



Specifications

Description	Vehicle Dock
Input Power	12V
Installations	VESA 75
IO	1x USB 2.0 Type-A 1x USB 3.0 Type-A 1x RJ45 1x Line Out 1x Phoenix Port 1x DC In Jack
LED Indicator	N/A
Dimensions	236.89 x 293.03 x 88.22mm
Weight	800g
Operating Temperature	0°C ~ 40°C(32°F ~ 104°F)
Storage Temperature	-20°C ~ 60°C(-4°F ~ 140°F)

Optional Accessories

- » OPM-T016-A2
MD116 Vehicle Docking with Holder

VESA Cradle

OPM-T021-A1



Specifications

Description	VESA Cradle
Input Power	N/A
Installations	VESA 75
IO	N/A
LED Indicator	N/A
Dimensions	206.69 x 196.64 x 87.8mm
Weight	395g
Operating Temperature	0°C ~ 40°C(32°F ~ 104°F)
Storage Temperature	-20°C ~ 60°C(-4°F ~ 140°F)

Optional Accessories

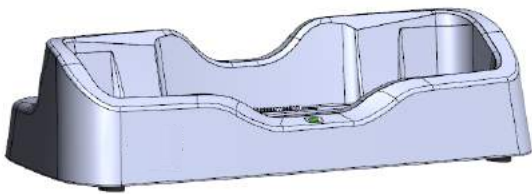
- » OPM-T021-A1
MD116 VESA Cradle

Mobile Medical Assistant

MD116 Accessory Selection

Office Dock

OPM-T022-A1



Specifications

Part Number	OPM-T022-A1
Description	Office Dock
Input Power	12V
Installations	Stationary
IO	2x USB 2.0 Type-A 1x RJ45 1x RS-232 1x DC-In
LED Indicator	Steady Green: Connection LED Off: Disconnection
Dimensions	354 x 117 x 78.2mm
Weight	1060g
Operating Temperature	0°C ~ 35°C(32°F ~ 95°F)
Storage Temperature	-20°C ~ 60°C(-4°F ~ 140°F)

Optional Accessories

- » OPM-T022-A1
MD116 Office Dock

Battery Charger

UP-M62



Specifications

Description	Battery Charger
Input Power	24V
Installations	Stationary
IO	1x Micro USB (Client) 1x DC-In
LED Indicator	Flickering Blue: Battery Charging Steady Blue: Battery Fully Charged Flickering Purple Green: Error
Dimensions	245.95 x 124.64 x 143.65mm
Weight	860g
Operating Temperature	0°C ~ 35°C(32°F ~ 95°F)
Storage Temperature	-20°C ~ 60°C(-4°F ~ 140°F)

Optional Accessories

- » UP-M62-A1-1010
MD116 6-slots Charger