

IRC-29ZBS Passive Infrared Motion Sensor

Extensive Detection Range Seamless Protection



- **Curtain-type PIR Motion Sensor**
- **Excellent Detection Range & Auto Power Saving**
- **Modern Design with Resistance to Insect**
- **Superior White Light and Noise Rejection**

The IRC-29ZBS is a passive infrared motion sensor with a curtain detection pattern that provides quality detection. The IRC-29ZBS is ideal for indoor use designed to protect wall/roof windows, corridors, balcony doors, and all-glass walls.

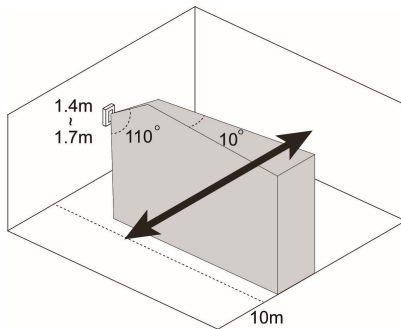
The compact size and wireless design of the IRC-29ZBS makes it light and easy to install. It features advanced Adaptive Digital Signal Processing (ADSP) algorithms, enabling high-sensitivity detection free from changes in the environment or outside interference.

With temperature compensation sensitivity control, and digital signal processing, the IRC-29ZBS ensures excellent communication range and guarantees successful signal transmission. The IRC-29ZBS is suitable for both residential and light commercial applications.

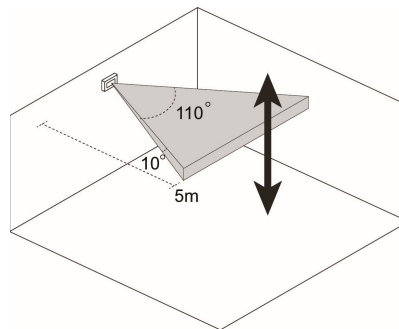
The IRC-29ZBS is compatible with other manufacturers' ZigBee systems and can be integrated into new or existing ZigBee systems.

IRC-29ZBS Passive Infrared Motion Sensor

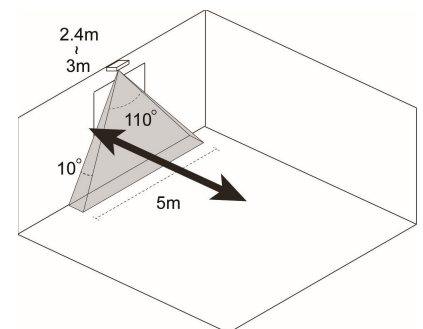
Vertical Wall Mount



Horizontal Wall Mount



Ceiling Mount



Features

- Microprocessor controlled with ADSP algorithms
- Wall or ceiling mount with tamper protection
- Randomized supervision checking system integrity
- Temperature compensated sensitivity control
- Battery-operated for easy installation
- Elegant compact design
- LED functions as fault and test mode indicator
- Superior white light and noise rejection
- Detection Range: up to 10 meters
- Automatic power saving mechanism
- Compliant with CE and FCC requirements
- Compact and low-profile with resistance to insect
- Compatible with other manufacturers' ZigBee systems

Specifications

Communication Protocol	ZigBee Pro Home Automation 1.2
Frequency	2.4GHz
Power Supply	3V, EL123A lithium battery x 1
Battery Life	3.5 years*
Operating Temperature	-10°C to 45°C (14°F to 113°F)
Operating Humidity	Up to 85% non-condensing
Dimensions	76mm x 56mm x 43mm

* Note: Actual battery life may vary with product settings, usage patterns and operating environment.