



QTM-1500/1700/1900/2150

10-point PCT Multi-touch Flat Panel Monitor



- 15"/17"/19" square-screen (4:3/5:4) 10-point PCT multi-touch LCD Display
- 21.5" widescreen (16:9) 10-point PCT multi-touch LCD Display
- 1x HDMI, 1x DVI-D, 1x VGA
- 1x USB2.0 for touch functionality
- IP65 approved front bezel
- Glass hardness of 6H
- Bezel-free flat panel design



Product Overview

QTM-1500/1700/1900/2150 is a 15" / 17" / 19" / 21.5" multi-touch flat panel monitor. It features 10-point PCT multi-touch panel and enables fast / intuitive operation. 21.5" model is widescreen and enables multiple windows or convenient panoramic viewing experience.

Besides, it comes with a variety of display ports, including 1x HDMI, 1x DVI-D and 1x VGA, for various viewing

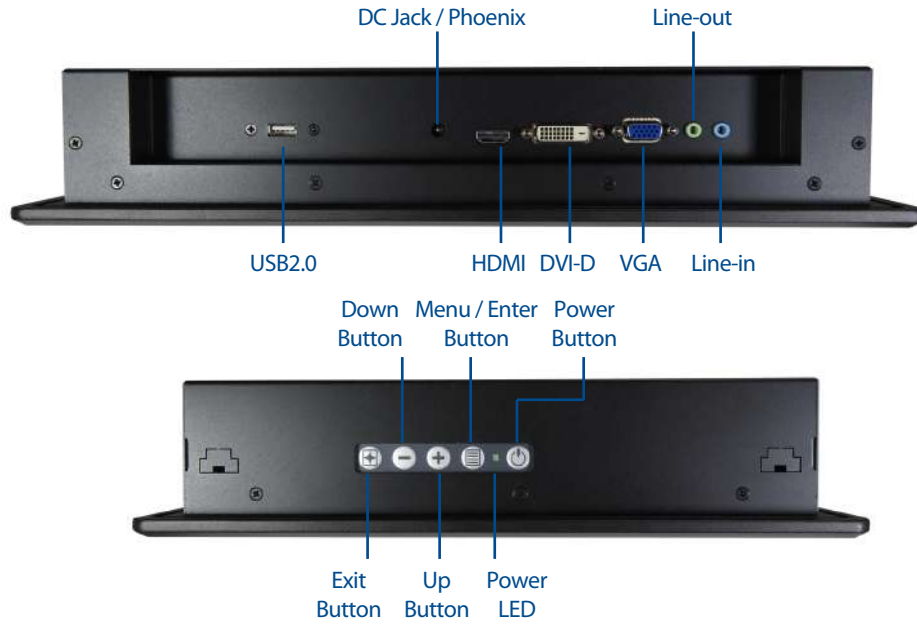
options, and 1x USB 2.0 for touch functionality.

With IP65-rated front design and anti-scratch glass surface, QTM provides excellent resistance to harsh environments and thus is highly suited to a wide range of industrial applications.

Technical Information

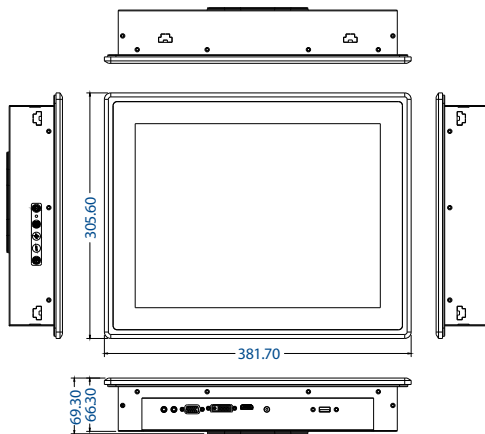
| | | | | | |
|-----------------------------|---|--|--|--|--|
| Video | Display Size Aspect Ratio Backlight Resolution Brightness (cd/m ² , typ.) Contrast Ratio (typ.) Color Viewing Angle (L/R/H/L) Touch Display Interface | 15 inch 4:3 LED 1024 x 768 XGA 350 600:1 16.2M 85°/85°/80°/80° 10-point PCT 1x HDMI (on rear) 1x DVI-D (on rear) 1x VGA (on rear) | 17 inch 5:4 LED 1280 x 1024 SXGA 350 1000:1 16.2M 85°/85°/80°/80° 10-point PCT | 19 inch 5:4 LED 1280 x 1024 SXGA 250 1000:1 16.7M 85°/85°/80°/80° 10-point PCT | 21.5 inch 16:9 LED 1920 x 1080 Full HD 250 5000:1 16.7M 89°/89°/89°/89° 10-point PCT |
| Audio | Audio Interface | 2x Speaker-out (3W) 1x Line-in (on rear) 1x Line-out (on rear) | | | |
| Peripheral Connection | USB | 1x USB2.0 (Type A on rear for Touch) | | | |
| Power | Connector Input Voltage Power Adapter | DC Jack (on rear, for 15" / 17" / 19" model) 2-pin Phoenix Connector (on rear, for 21.5" model) DC 12V (DC 24V optional) AC to DC, 100V ~ 240V | | | |
| System Control & Monitoring | Button, Switch & Indicator | 1x Power Button (on left side) 1x Power LED (on left side) 1x Menu / Enter Button (on left side) 1x Up Button (on left side) 1x Down Button (on left side) 1x Exit Button (on left side) | | | |
| Cooling | Cooling Method | Passive | | | |
| Mechanical | Construction Dimensions - W Dimensions - H Dimensions - D Weight Mounting | Glass Surface + Ultra-narrow Aluminum Front Bezel + Metal Chassis 381.7 mm (15.03") 413.0 mm (16.26") 447.3 mm (17.61") 542.6 mm (21.36") 305.6 mm (12.03") 334.0 mm (13.15") 372.0 mm (14.65") 339.2 mm (13.35") 68.2 mm (2.69") 70.3 mm (2.89") 70.4 mm (2.77") 55.0 mm (2.17") 4600 g (10.14 lb) 5800 g (12.79 lb) 6400 g (14.11 lb) TBD VESA Mount, Panel Mount | | | |
| Environmental | Operation Temperature Storage Temperature Humidity | 0°C ~ 50°C / 32°F ~ 122°F -20°C ~ 70°C / -4°F ~ 158°F 0% ~ 95% | | | |
| Certification | EMC & Safety Ingress Protection | CE, FCC Class A IP65 (front) | | | |

I/O Ports

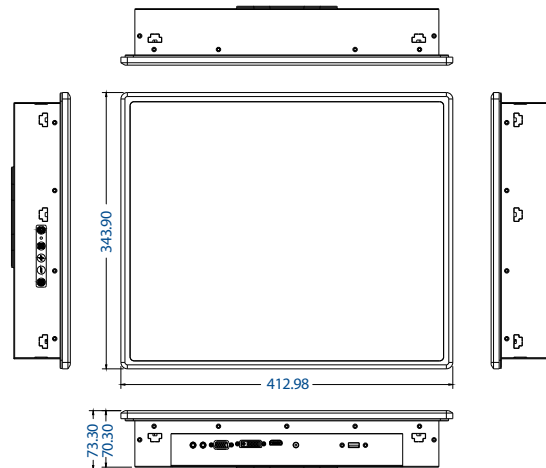


Mechanical Dimensions

15" Model

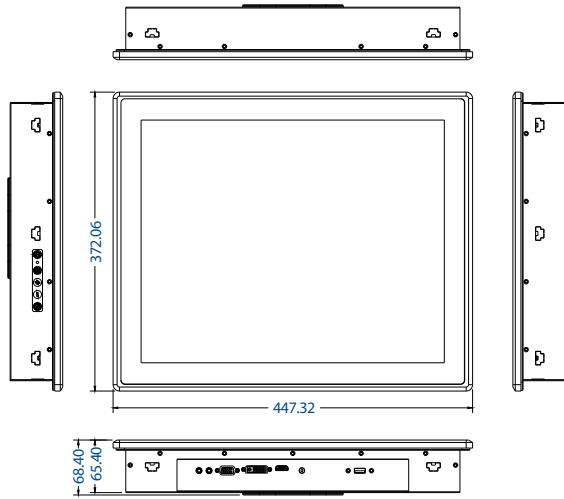


17" Model

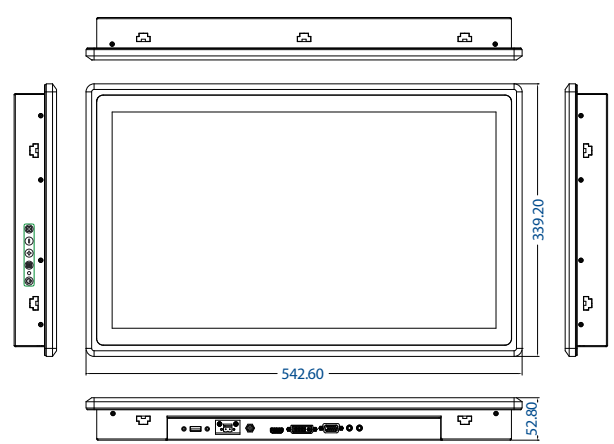


(unit: mm)

19" Model



21.5" Model



(unit: mm)

Ordering Information

| Product Name | Description |
|--------------|---|
| QTM-1500 | 15" 4:3 10pt PCT, 1x HDMI, 1x DVI-D, 1x VGA, 1x USB2.0, 1x Line-out, 1x Line-in, DC Jack Connector |
| QTM-1700 | 17" 5:4 10pt PCT, 1x HDMI, 1x DVI-D, 1x VGA, 1x USB2.0, 1x Line-out, 1x Line-in, DC Jack Connector |
| QTM-1900 | 19" 5:4 10pt PCT, 1x HDMI, 1x DVI-D, 1x VGA, 1x USB2.0, 1x Line-out, 1x Line-in, DC Jack Connector |
| QTM-2150 | 21.5" 16:9 10pt PCT, 1x HDMI, 1x DVI-D, 1x VGA, 1x USB2.0, 1x Line-out, 1x Line-in, 2-pin Phoenix Connector |

Optional Accessories

| Product Name | Description |
|-------------------|--|
| VESA Mounting Kit | Hole pattern: 100 x 100 mm & 75 x 75 mm, dimension: 163 x 130 mm |